

Menu bar functions

You can use various functions from the menu bar.

To bring up the menu bar

When a disc is inserted, press ON SCREEN twice. A menu bar for the type of disc inserted will appear under the status bar.

Ex.: Menu bar for DVD VIDEO



To dismiss the menu bar and the status bar, press ON SCREEN.

Basic operation procedure

- Press ◀▶ to select the icon you want to work with.
- Press **ENTER**.

After pressing ENTER:
 - When a pull-down menu appears, press ▲▼ to select the setting you want, then press ENTER.
 - When a number-entry box appears, use the numeric buttons to enter the number you want, then press ENTER.
 - When changing **TIME** setting, press ENTER repeatedly to select the setting you want.

NOTES

- The selected item on the menu bar is shown in green.
- The available functions differ depending on the player status. Refer to the explanation below to check when you can use a certain function.

Menu bar functions

- TIME** selects the time mode shown in the display window and the status bar.
- TOTAL: Elapsed time of current title (DVD) or a disc (CD/VCD/SVCD)
 - T.REM: Remaining time of current title (DVD) or a disc (CD/VCD/SVCD) (Except for DVD: while stopped, disc total time)
 - TIME: Elapsed time of current chapter (DVD) or track (CD/VCD/SVCD)
 - REM: Remaining time of current chapter (DVD) or track (CD/VCD/SVCD) (while stopped, current track total time)

- ↺ selects repeat mode.

- DVD: During playback
CD: In any condition
VCD/SVCD: In any condition except PBC playback
- CHAPTER: Current chapter repeat (DVD)
 - TITLE: Current title repeat (DVD)
 - TRACK: Current track repeat (CD/VCD/SVCD)
 - ALL: All track repeat (CD/VCD/SVCD)
 - A-B: A-B repeat (During playback). After selecting A-B, press ENTER at the beginning point of repeat, then press ENTER again at the end point.
- OFF: Repeat mode deactivated. Select this to quit repeat mode.
- ↻ specifies beginning point of a title (DVD) or a disc (CD/VCD/SVCD) by the time.
- DVD: In any condition
CD: In any condition except program or random playback
- VCD/SVCD: In any condition except PBC or program or random playback

- CHAP.▶** specifies a chapter to play back from (DVD only).

Audio/Video files playback

You can play back MP3/JPEG files on a CD/CD-R/RW.

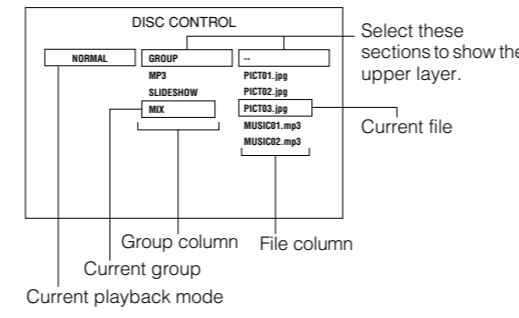
Precautions

- Use "ISO 9660" as the disc format.
- The player does not support "packet writing (UDF files)" discs.
- The player supports discs recorded with up to five multiple sessions.
- The player may be unable to play back a disc due to the characteristics or recording conditions.
- The player recognizes up to the fifth layer of groups, 999 files per group (including unplayable files), and up to 250 groups per disc.
- Add the appropriate extension ("*.mp3" and "*.jpg") to the file name.
- MP3i and MP3 Pro are not available.
- The player cannot play back a picture of more than 5120 x 3413 pixels (baseline JPEG) or 2048 x 1536 pixels (progressive JPEG).

Selecting a specific file or group

You can select files or folders (groups) using the Control display on the TV screen.

Control display



Press ▲▼/◀▶ to move the cursor bar to a desired file, then press **▶** (SELECT).

- When you press ENTER, only the selected file is played back (except for MP3 files).

Troubleshooting

Power

Power does not come on.

- Power plug is not inserted securely. Plug in securely.

Operation

“REGION CODE ERROR!” is shown on the TV.

- Region code of the inserted disc does not match the player. Check the region code of the disc printed on the disc jacket.

Operation is not possible.

- Microcomputer malfunction due to lightning or static electricity. Turn off the power and unplug the power cord, then connect the power cord again.
- Moisture condensation caused by a sudden change of temperature or humidity. Turn off the power, then turn it on a few hours later.
- The disc does not allow the operation, or an unplayable disc is inserted. Check and replace the disc.

[LOCK] is displayed on the display window and the disc tray does not open.

- When you press **▲** while pressing down **■** on the player in standby mode, the tray lock function is activated. The disc tray cannot be opened or closed in this status. To release this status, press **▲** while pressing down **■** on the player in standby mode.

Picture

Picture is noisy.

- The player is connected to a VCR directly and the copyguard function is activated. Connect the player so that the picture signal flows directly to the TV. With some discs, the picture may be blurred when [PICTURE SOURCE] is set to [FILM] or [AUTO]. Set [PICTURE SOURCE] to [VIDEO (NORMAL)] or [VIDEO (ACTIVE)].

Picture is distorted when using

component (Y, Pb, Pr) or S-VIDEO jack(s).

- Both the component connection and S-video connection are made. Disconnect the unused one.

No picture is displayed on the TV screen or the screen is blurred or divided into two parts.

- The player is in the progressive scanning mode though it is connected to a TV via the VIDEO or S-VIDEO jack. Observe the display window. If [P] is turned on, the player is in the progressive scanning mode. Make the Progressive scanning mode inactive by using the VFP - I/P button.

Initial settings

You can change the settings of this player according to your preferences and playing environment.

How to set the Initial settings

- Press **SET UP**.
- Press ▶ to select the menu.
- Press ▲▼ to move to select the item.
- Press **ENTER**.
- Press ▲▼ to select the options, then press **ENTER**.

9

10

11

12

Initial settings

You can change the settings of this player according to your preferences and playing environment.

How to set the Initial settings

- Press **SET UP**.
- Press ▶ to select the menu.
- Press ▲▼ to move to select the item.
- Press **ENTER**.
- Press ▲▼ to select the options, then press **ENTER**.

LANGUAGE menu

Item	Contents
MENU LANGUAGE	You can select the default menu language of DVD VIDEO.
AUDIO LANGUAGE	You can select the default audio language of DVD VIDEO.
SUBTITLE	You can select the default subtitle language of DVD VIDEO.
ON SCREEN LANGUAGE	You can select "ENGLISH," "FRENCH," or "SPANISH" as the on-screen language.

PICTURE menu

Item	Contents
MONITOR TYPE	You can select the monitor type to match your TV when you play back DVD VIDEO discs recorded for wide-screen televisions. 16:9 4:3 LB 4:3 LB (Letter Box conversion): For a normal (4:3) TV. Displays a wide-screen picture to fit the width of the TV screen keeping the aspect ratio. 4:3 PS (Pan Scan conversion): For a normal (4:3) TV. The picture is zoomed up to filling the screen vertically and the left and right sides of the picture are cut off.
PICTURE SOURCE	You can obtain optimal picture quality by selecting the source type of the disc contents. [AUTO]: Normally, select this option. The player recognizes the picture type (film or video source) of the current disc according to the disc information. [FILM]: For a film source disc. [VIDEO(NORMAL)]: For a video source disc with relatively a few movements. [VIDEO(ACTIVE)]: For a video source disc with relatively a lot of movements.
SCREEN SAVER	You can set the screen saver function to ON or OFF .
BACKGROUND	You can use your favorite image as the opening display. [STANDARD]: Display the JVC original image. [USER]: Display your favorite image as the opening display when a JPEG image is registered. [SAVE AS BACKGROUND]: To register a new image, select this while a JPEG image is displayed on the TV.

13

AUDIO menu

Item	Contents
DIGITAL AUDIO OUTPUT	Set this item correctly according to the logo on your receiver or decoder. [PCM ONLY]: Receiver/decoder bearing neither Dolby Digital nor DTS logo, or digital recorder. [DOLBY DIGITAL/PCM]: Receiver/decoder bearing Dolby Digital logo and no DTS. [STREAM/PCM]: Receiver/decoder bearing both Dolby Digital and DTS logos.
ANALOG DOWNMIX	Set this item properly according to your analog audio connection to play the sound of the surround multichannel audio on a DVD VIDEO. [DOLBY SURROUND]: Select this when connecting to a surround decoder. [STEREO]: Select this when connecting to a stereo amplifier or TV, or in case you want to record from a DVD VIDEO to a MiniDisc, cassette, etc.
D.RANGE CONTROL	Set this item to listen to DVD VIDEO recorded in Dolby Digital format at low or middle volume. [WIDE RANGE]: You can enjoy powerful playback sound. [NORMAL]: Normally, select this. [TV MODE]: Select this if the sound level of DVD VIDEO is lower than the one of TV program to make the sound at a lower volume clear.
OUTPUT LEVEL	Set this item to attenuate the level of the signal output from the analog AUDIO OUT terminals. If the sound from the speaker is distorted, select [LOW].

OTHERS menu

Item	Contents
RESUME	You can select the resume playback mode. [ON]: The player resumes playback from the position where playback has been stopped if the disc is still in the disc tray. [OFF]: This function is deactivated. [DISC RESUME]: The player resumes playback of the last 10 discs played. The player retains a memory of the stopped position of each disc even if the disc is removed from the disc tray.
ON SCREEN GUIDE	Activate or deactivate the on-screen guide.
AUTO STANDBY	Set the time until the player turns off (into standby) automatically if playback is stopped for more than 30 minutes or 60 minutes.
PARENTAL LOCK	Select this item, then press ENTER to show the PARENTAL LOCK menu for limiting playback by children. Scenes which are limited by this function are not played or replaced with other scenes. [COUNTRY CODE]: Select the code of your country/area. [SET LEVEL]: Select the level of restriction. ("1" is the strictest.) [PASSWORD]: Enter your 4-digit password by pressing the numeric buttons (0 to 9). [EXIT]: Select this and press ENTER to go back to the OTHERS menu. Notes: <ul style="list-style-type: none">Some DVD VIDEO cannot be played by this function. If you try to play such a disc, the PARENTAL LOCK menu appears on the TV and asks whether you want to release the lock or not.To release the lock and play, select "TEMPORARY RELEASE," press ENTER, then enter your password. Otherwise, eject the disc.To change the setting of the limitation, you need to enter your password.If you forget your password, enter "8888."

14

Country/Area code list for Parental Lock

AD Andorra	CK Cook Islands	GS South Georgia and the South Sandwich	LI Liechtenstein	PG Papua New Guinea	TK Tokelau
AE United Arab Emirates	CL Chile	GU Guam	LK Sri Lanka	PH Philippines	TM Turkmenistan
AF Afghanistan	CM Cameroon	GT Guatemala	LR Liberia	PK Pakistan	TN Tunisia
AG Antigua and Barbuda	CN China	LS Lesotho	LT Lithuania	PL Poland	TO Tonga
AI Anguilla	CO Colombia	LU Luxembourg	LV Latvia	PM Saint Pierre and Miquelon	TP East Timor
AL Albania	CR Costa Rica	LV Latvia	LY Libyan Arab Jamahiriya	PN Pitcairn	TR Turkey
AM Armenia	CX Christmas Island	HM Heard Island and McDonald Islands	MA Morocco	PR Puerto Rico	TT Trinidad and Tobago
AN Netherlands Antilles	CY Cyprus	HN Honduras	MC Monaco	PT Portugal	TW Taiwan
AO Angola	CZ Czech Republic	HR Croatia	MD Moldova, Republic of	PY Paraguay	TZ Tanzania, United Republic of
AQ Antarctica	DE Germany	HU Hungary	MG Madagascar	QA Qatar	UA Ukraine
AR Argentina	DJ Djibouti	IE Ireland	MH Marshall Islands	RE Reunion	UG Uganda
AS American Samoa	DK Denmark	ID Indonesia	MI Mali	RO Romania	UM United States Minor Outlying Islands
AT Austria	DM Dominica	IE Ireland	MM Myanmar	RU Russian Federation	US United States
AU Australia	DO Dominican Republic	IL Israel	MN Mongolia	SA Saudi Arabia	UY Uruguay
AW Aruba	EC Ecuador	IN India	MO Macau	SB Solomon Islands	UZ Uzbekistan
AZ Azerbaijan	EE Estonia	IO British Indian Ocean Territory	MP Northern Mariana Islands	SC Seychelles	VA Vatican City State (Holy See)
BA Bosnia and Herzegovina	EG Egypt	IQ Iraq	MS Montserrat	SD Sudan	VC Saint Vincent and the Grenadines
BB Barbados	EH Western Sahara	IR Iran (Islamic Republic of)	MT Malta	SE Sweden	VG Virgin Islands (British)
BD Bangladesh	ER Eritrea	IS Iceland	NI Nicaragua	SG Singapore	VI Virgin Islands (U.S.)
BE Belgium	ET Ethiopia	IT Italy	NL Netherlands	SH Saint Helena	VN Vietnam
BF Burkina Faso	FI Finland	JM Jamaica	NO Norway	SI Slovenia	VU Vanuatu
BG Bulgaria	FJ Fiji	JO Jordan	NP Nepal	SJ Svalbard and Jan Mayen	WF Wallis and Futuna Islands
BH Bahrain	FK Falkland Islands	JP Japan	NR Nauru	SK Slovakia	WS Samoa
BI Burundi	FM Micronesia (Federated States of)	KG Kyrgyzstan	NF Norfolk Island	SL Sierra Leone	YE Yemen
BJ Benin	FO Faroe Islands	KH Cambodia	NG Nigeria	SN Senegal	YT Mayotte
BM Bermuda	FR France, Metropolitan	KM Comoros	NI Nicaragua	SO Somalia	
BN Brunei Darussalam	FX France, Metropolitan	KN Saint Kitts and Nevis	NL Netherlands	SR Suriname	
BO Bolivia	GA Gabon	KP Korea, Democratic People's Republic of	NO Norway	ST Sao Tome and Principe	
BR Brazil	GB United Kingdom	KR Korea, Republic of	NU Niue	SV El Salvador	
BS Bahamas	GD Grenada	KW Kuwait	NZ New Zealand	SY Syrian Arab Republic	
BT Bhutan	GE Georgia	KY Cayman Islands	OM Oman	SZ Swaziland	
BV Bouvet Island	GF French Guiana	KZ Kazakhstan	PA Panama	TC Turks and Caicos Islands	
BW Botswana	GH Ghana	LA Laotian	PE Peru	TD Chad	
BY Belarus	GI Gibraltar	LAO People's Democratic Republic	PF French Polynesia	TF French Southern Territories	
BZ Belize	GL Greenland	LB Lebanon		TG Togo	
CA Canada	GM Gambia	LC Saint Lucia		TH Thailand	
CC Cocos (Keeling) Islands	GN Guinea			TI Timor-Leste	
CF Central African Republic	GR Greece			TJ Tajikistan	
CG Congo				TL Tagalog	
CH Switzerland				TM Turkmenistan	
CI Côte d'Ivoire				TN Tunisia	

15

Language codes list for the LANGUAGE menu

AA Afar	CA Catalan	GL Galician	KK Kazakh	ML Malayalam	PS Pashto, Pushto	SL Slovenian	TL Tagalog
AB Abkhazian	CO Corsican	GN Guarani	KL Greenlandic	MN Mongolian	PT Portuguese	SM Samoan	TN Setswana
AF Afrikaans	CS Czech	GU Gujarati	KM Cambodian	MO Moldavian	PR Portuguese	SN Shona	TO Tongan
AM Ameharic	CY Welsh	HA Hausa	KN Kannada	MR Marathi	QU Quechua	SO Somali	TR Turkish
AR Arabic	DA Danish	HI Hindi	KO Korean (KOR)	MS Malay (MAY)	RM Rhaeto-Romanche	SQ Albanian	TS Tsonga
AS Assamese	DZ Bhutani	HR Croatian	KS Kashmiri	MT Maltese	RN Rundi	SR Serbian	TT Tatar
AY Aymara	EL Greek	HU Hungarian	KU Kurdish	MY Burmese	RO Rumanian	SS Siswati	TW Twi
AZ Azerbaijani	EO Esperanto	HY Armenian	KY Kirghiz	NA Nauru	RU Russian	ST Sesotho	UK Ukrainian
BA Bashkir	ET Estonian	IA Interlingua	LA Latin	NE Nepali	RW Kinyarwanda	SU Sundanese	UR Urdu
BE Byelorussian	EU Basque	IE Interlingue	LN Lingala	ND Ndonga	RW Kinyarwanda	SV Swedish	UZ Uzbek
BG Bulgarian	FA Persian	IK Interlingua	LO Laotian	NO Norwegian	SI Sanskrit	SW Swahili	VI Vietnamese
BH Bihari	FI Finnish	IN Indonesian	LT Lithuanian	OC Occitan	SD Sindhi	TA Tamil	VO Volapuk
BI Bislama	FJ Fiji	IS Icelandic	LV Latvian, Lettish	OM (Afan) Oromo	SG Sangho	TE Telugu	WO Wolof
BN Bengali, Bangla	FY Friesian	IW Hebrew	LI Lettish	OR Orya	SH Serbo-Croatian	TG Tajik	XH Xhosa
BO Tibetan	FO Faroese	JJ Yiddish	MG Malagasy	PA Panjabi	SI Singhalese	TH Thai	YO Yoruba
BR Breton	GA Irish	JW Javanese	MI Maori	PL Polish	SK Slovak	TI Tigrinya	ZU Zulu
	GD Scots Gaelic	KA Georgian	MK Macedonian			TK Turkmen	

16